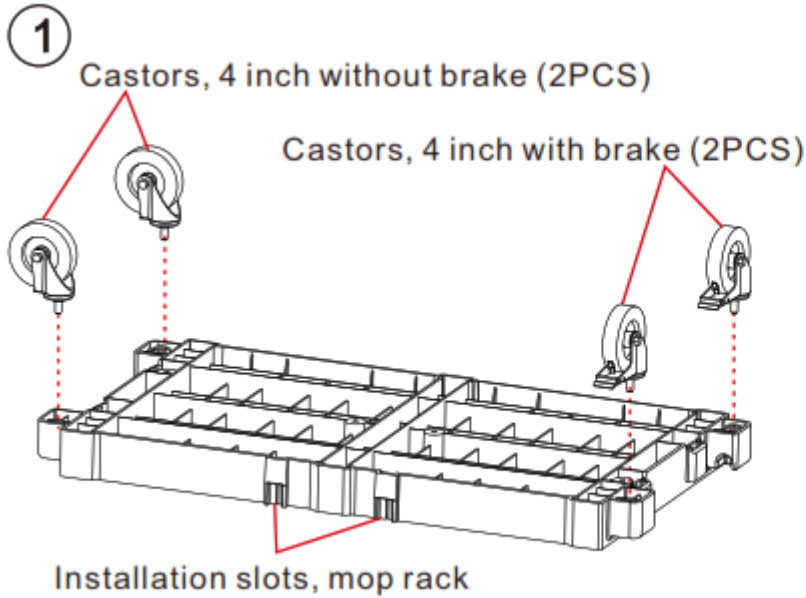


# Closed cleaning trolley with bucket set and wet mop station

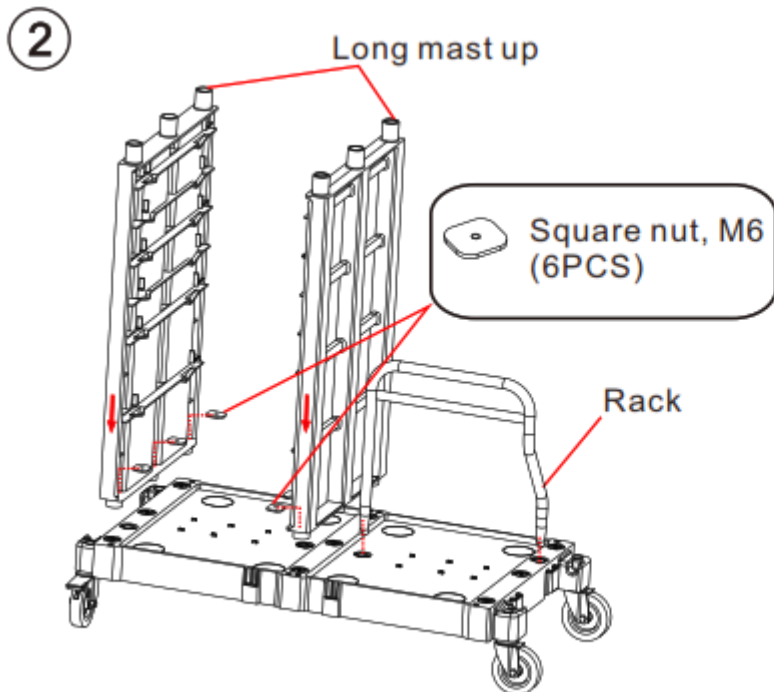
## EVO – C4 Assembly instruction



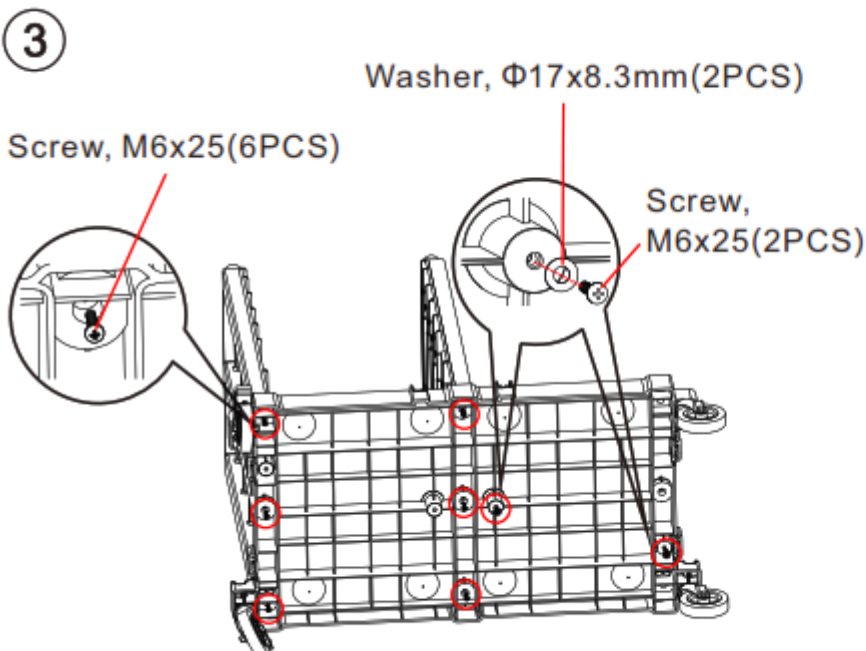


Step 1: Turn over the bottom plate and screw the castors into holes. Tighten the screws of castors with spanner.

NOTE: Install the castors with brake on the right side of installation slot of mop rack when turning over the bottom plate.

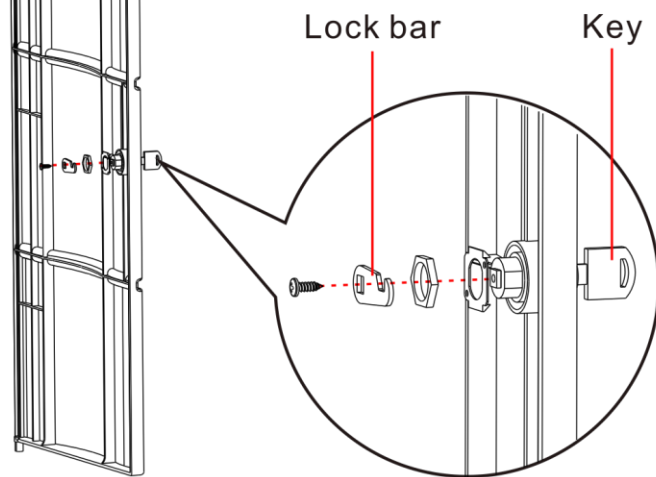


Step 2: Install the side plates on the side of castors with brake. And install the rack on the side of wheels without brake. Then insert the square nuts into the bottom of the side plates.



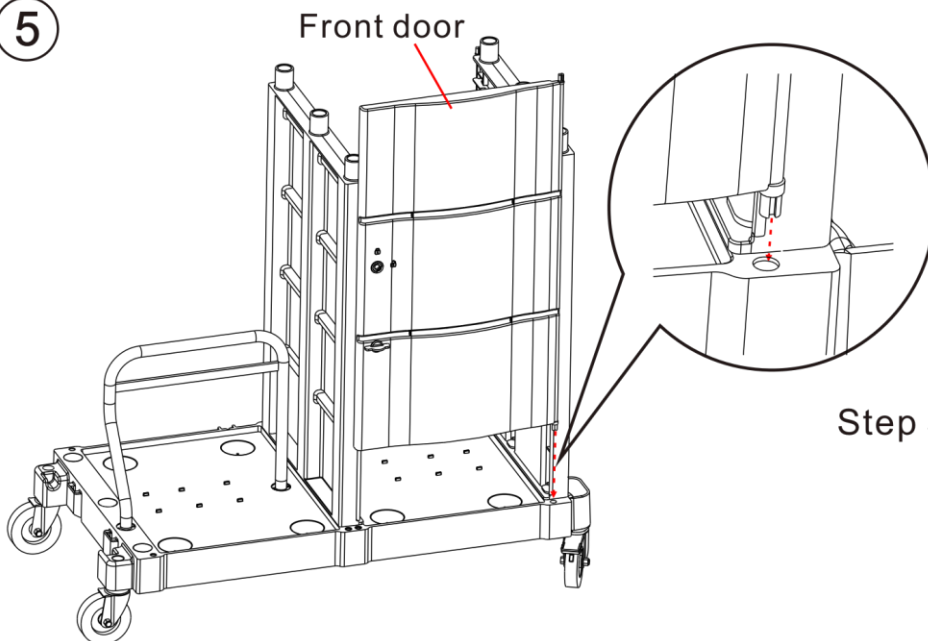
Step 3: Fasten side plates with screws. Then fasten the rack with washers and screws.

4



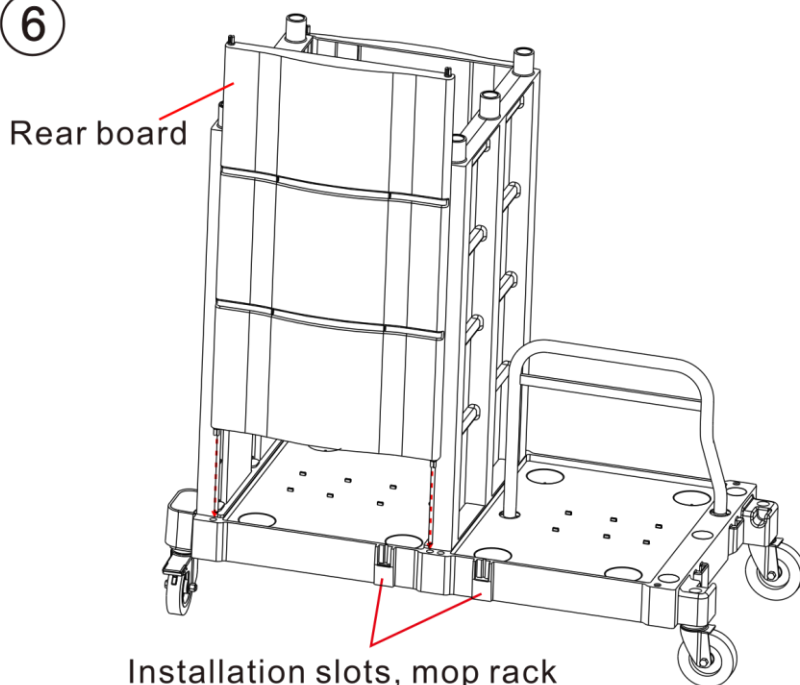
Step 4: Install the lock in the front door. Pay attention to set the lock bar perpendicular to the key.

5



Step 5: Install the front door in the bottom plate.

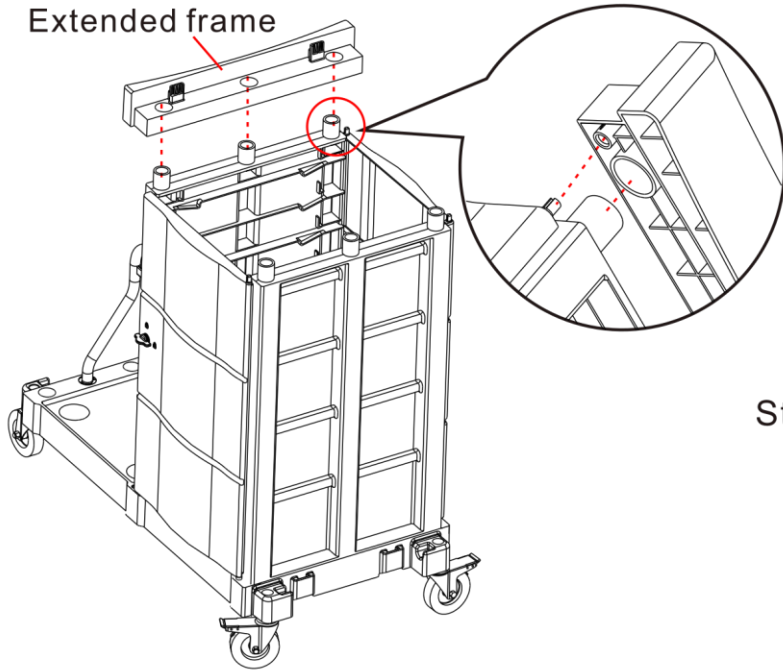
6



Step 6: Install the rear board in the bottom plate. Pay attention to set the rear board on the same side with the installation slots of mop rack.

7

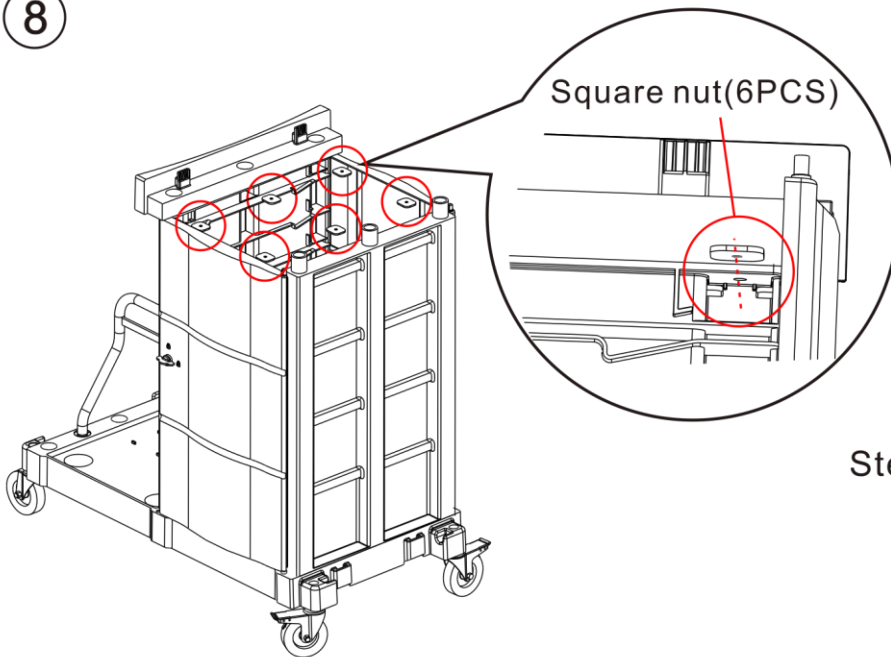
Extended frame



Step 7: Install the extended frame in the top of side plate.

8

Square nut(6PCS)

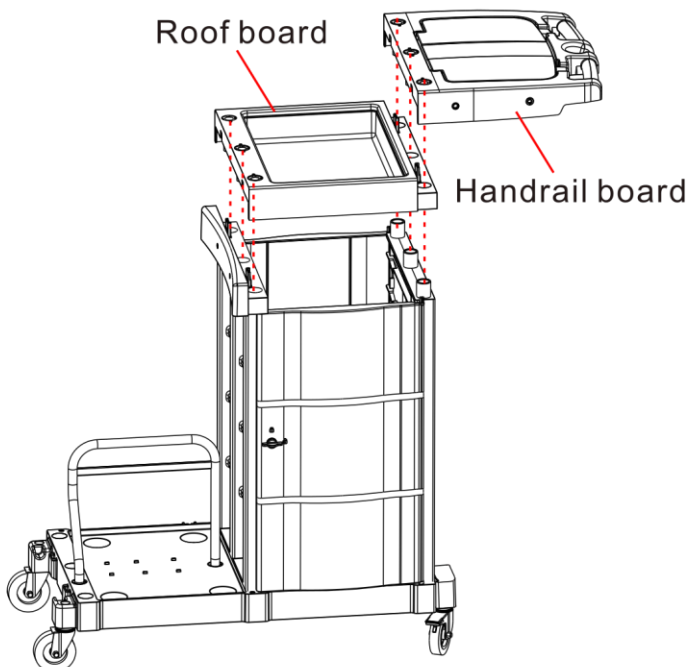


Step 8: Insert the square nuts in the top of side plate.

9

Roof board

Handrail board

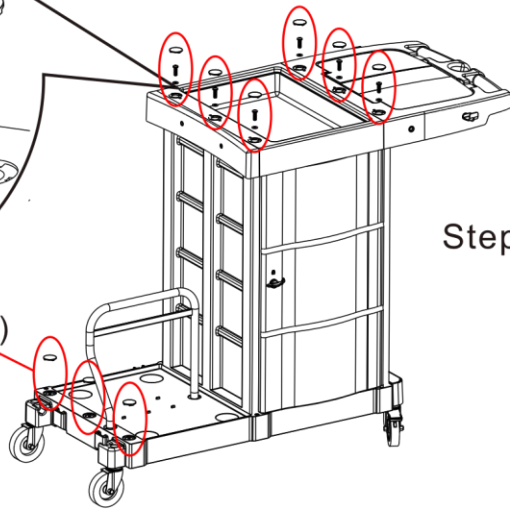


Step 9: Install the roof board and handrail board in a proper order.

10

- Cap, cross(6PCS)
- Screw, M6x25 (6PCS)
- Washer,  $\Phi 17 \times 8.3 \text{mm}$ (6PCS)

Cap, round(3PCS)



Step 10: Fasten the roof board and handrail board with screws. And put the cross cap in the roof board. Then put round cap in the bottom plate.

11

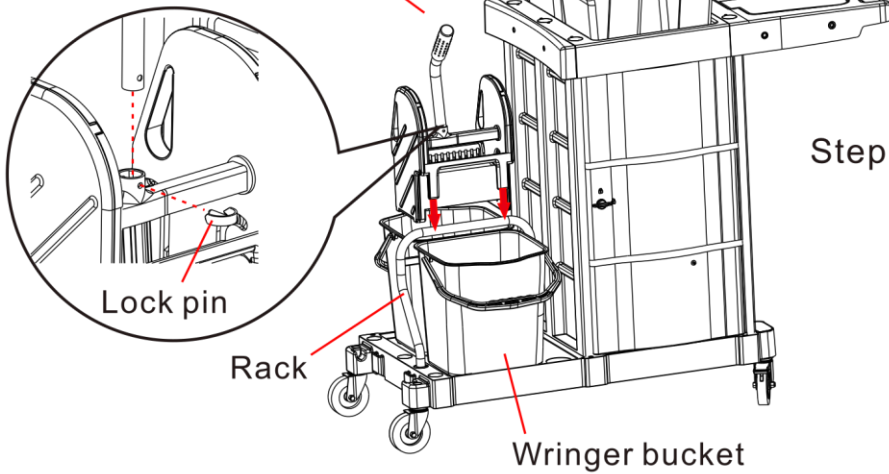
Small bucket

Wringer handle

Lock pin

Rack

Wringer bucket



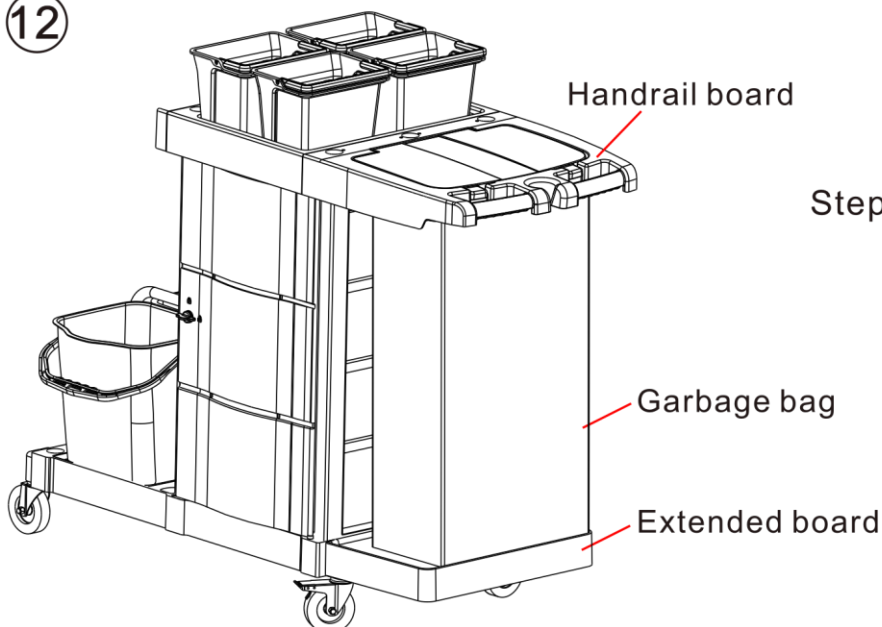
Step 11: Install the wringer handle and insert the lock pin to fasten it. Put the wringer buckets on the bottom plate. Then put the wringer on the rack. Last, Put the small bucket on roof board.

12

Handrail board

Garbage bag

Extended board



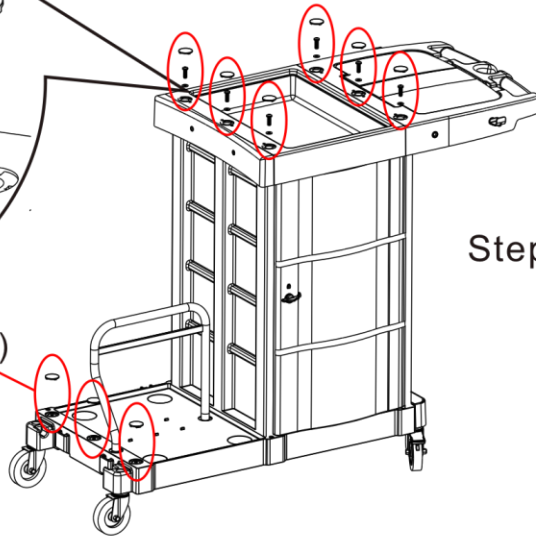
Step 12: Install the extended board on bottom plate. Then hang the garbage bag on the hook of the handrail.



10

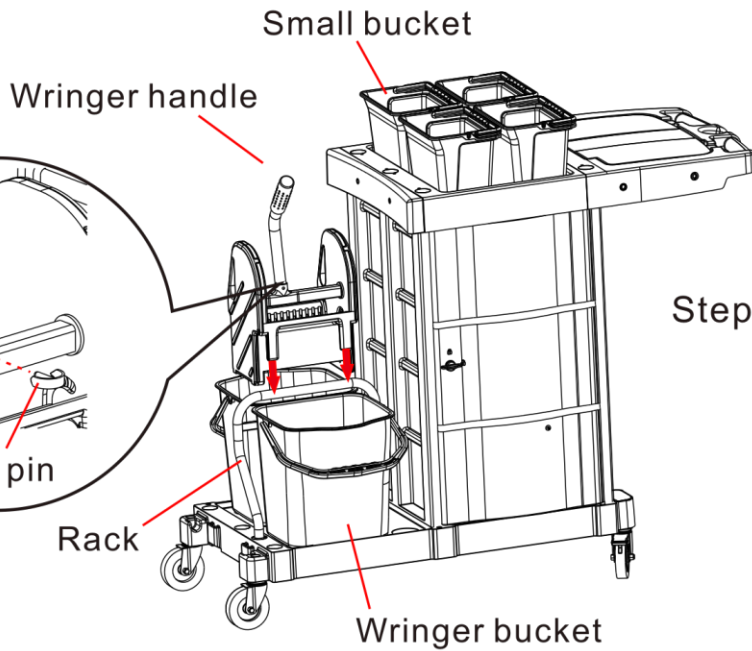
- Cap, cross(6PCS)
- Screw, M6x25 (6PCS)
- Washer,  $\Phi 17 \times 8.3 \text{mm}$ (6PCS)

Cap, round(3PCS)



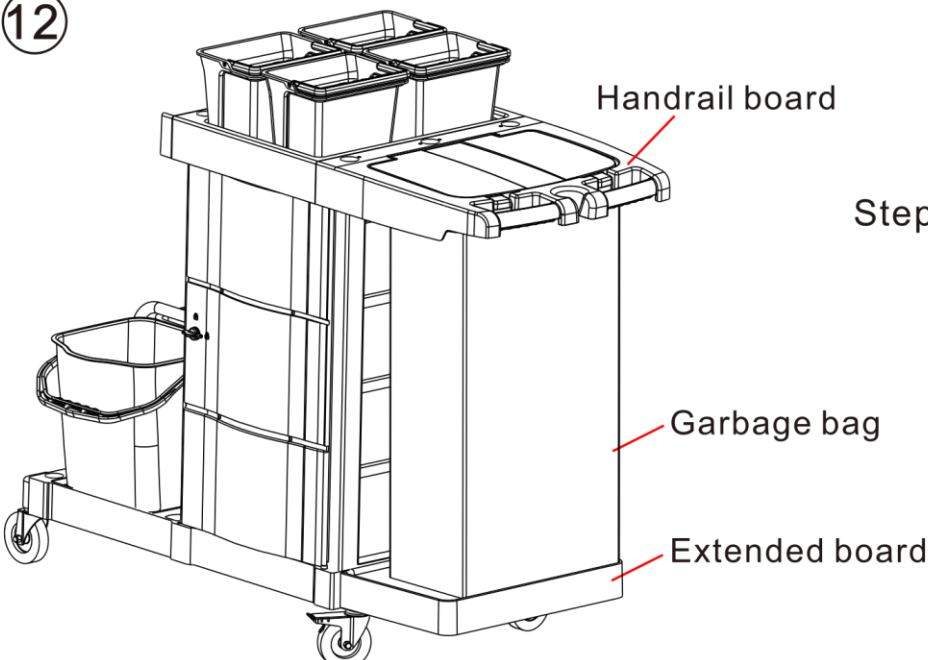
Step 10: Fasten the roof board and handrail board with screws. And put the cross cap in the roof board. Then put round cap in the bottom plate.

11



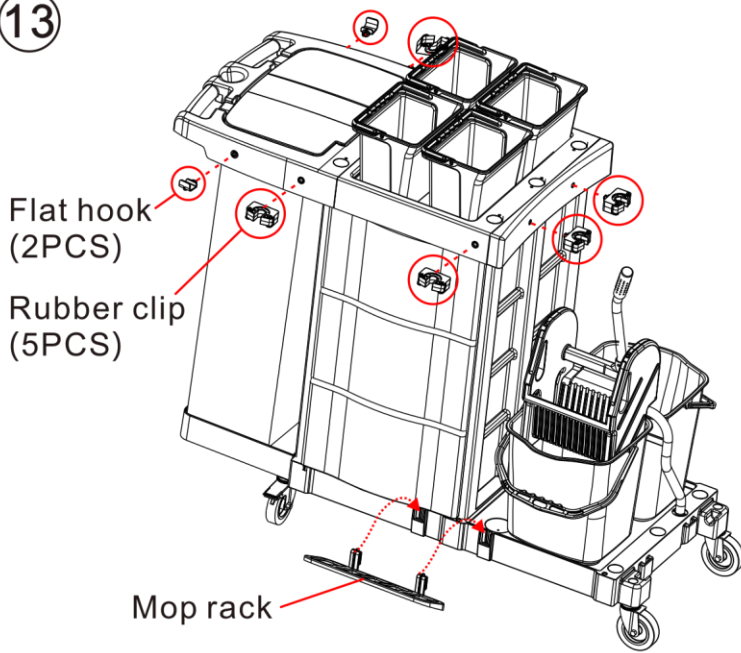
Step 11: Install the wringer handle and insert the lock pin to fasten it. Put the wringer buckets on the bottom plate. Then put the wringer on the rack. Last, Put the small bucket on roof board.

12



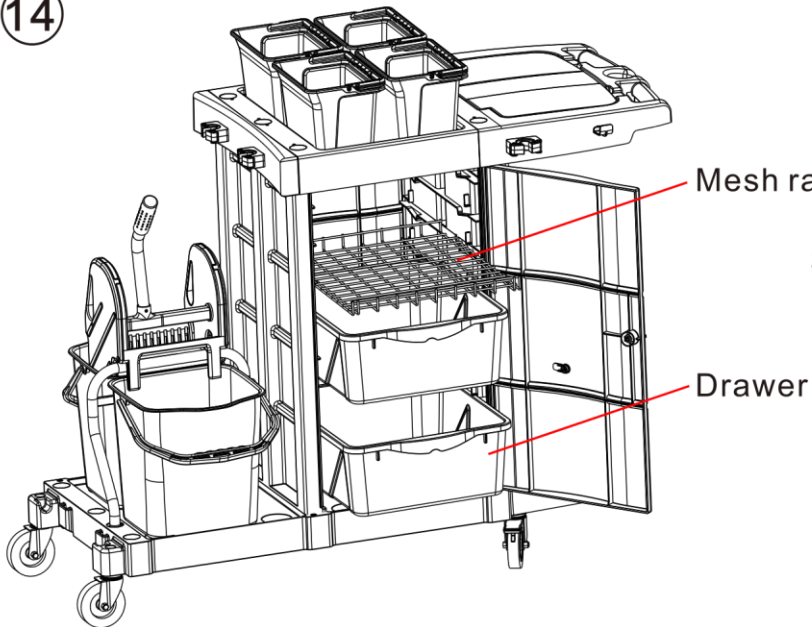
Step 12: Install the extended board on bottom plate. Then hang the garbage bag on the hook of the handrail.

13



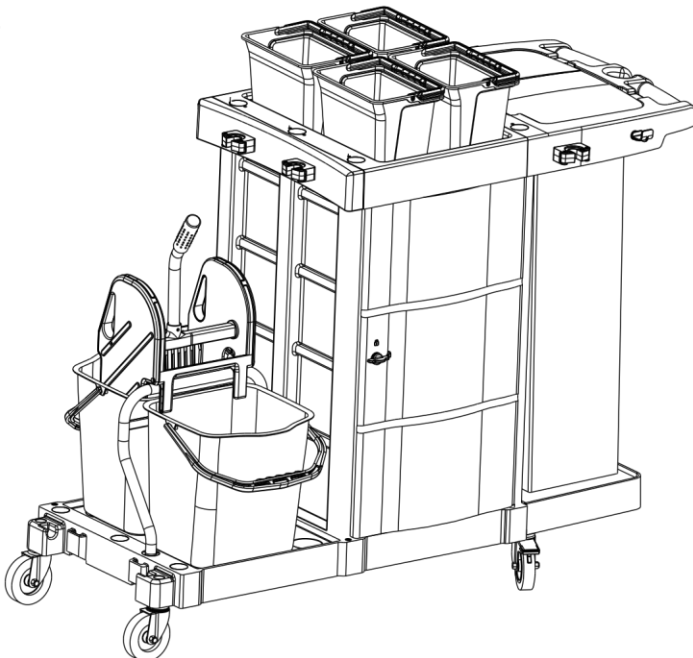
Step 13: Insert flat hooks, rubber clips and mop rack.

14



Step 14: Put the mesh rack and drawers in the cart.

15



Installation completed.