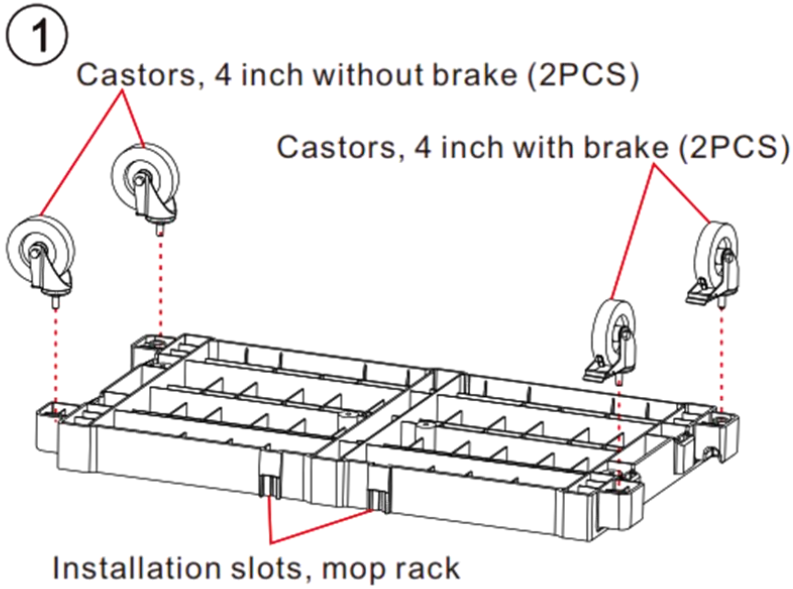


# Closed cleaning trolley with roll top and double mopbox

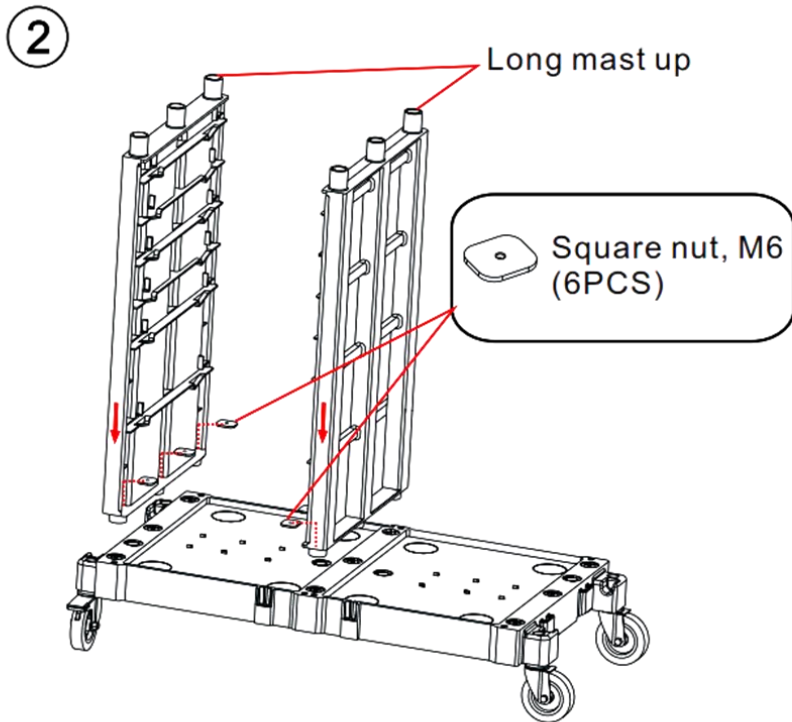
## EVO – C1 Assembly instruction



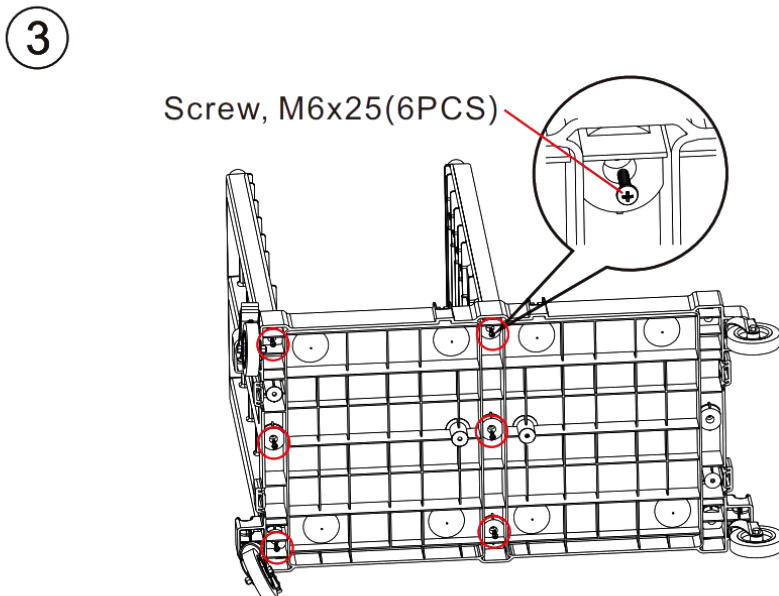


Step 1: Turn over the bottom plate and screw the castors into holes. Tighten the screws of castors with spanner.

NOTE: Install the castors with brake on the right side of installation slot of mop rack when turning over the bottom plate.

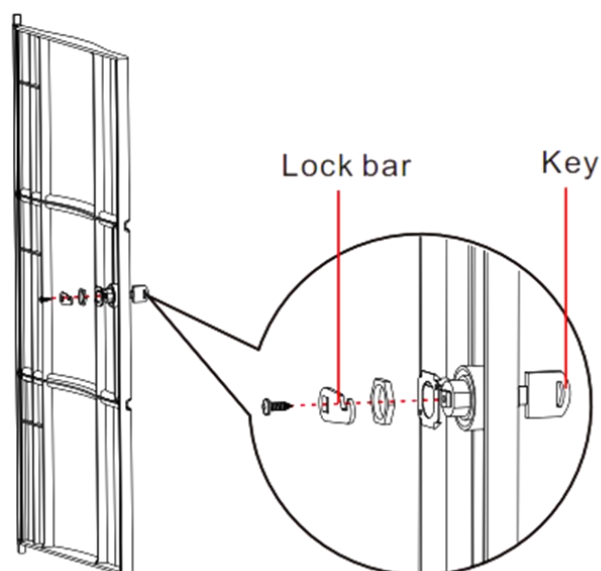


Step 2: Install the side plates on the side of castors with brake. Then insert the square nuts into the bottom of the side plates.



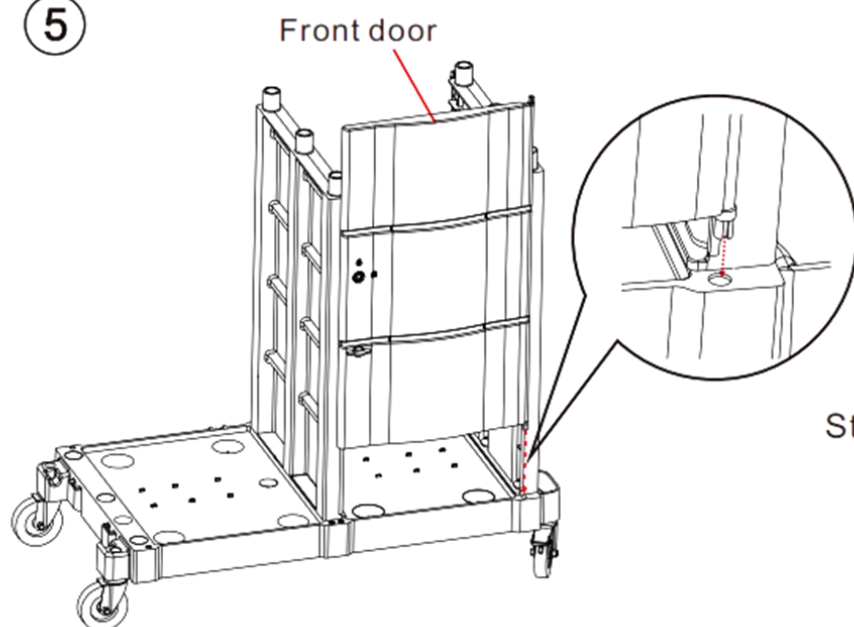
Step 3: Fasten the side plates with screws.

4



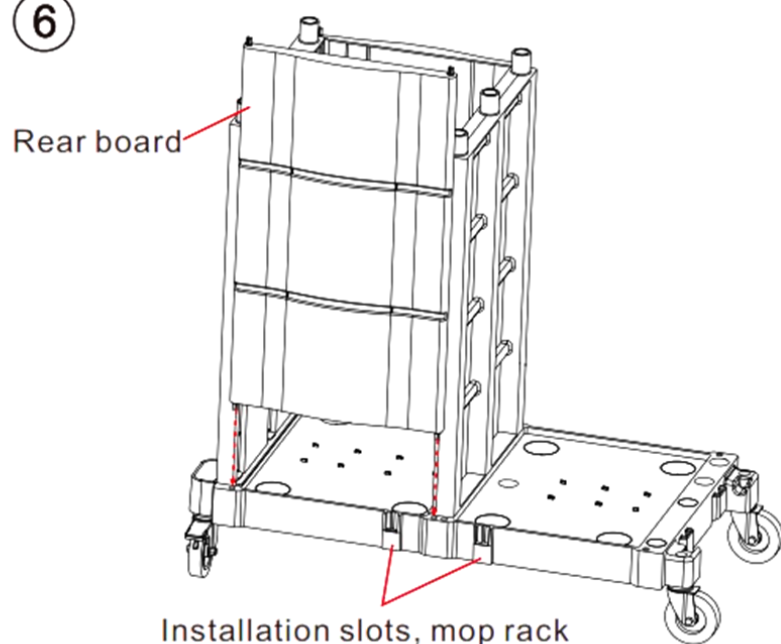
Step 4: Install the lock in the front door. Pay attention to set the lock bar perpendicular to the key.

5



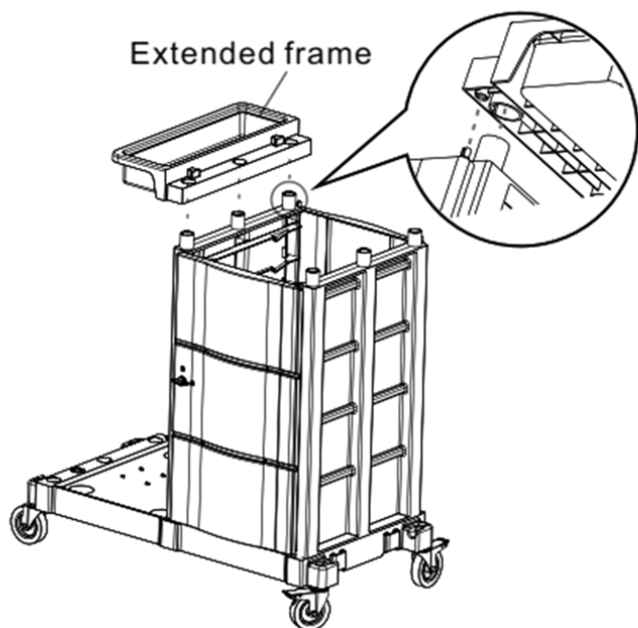
Step 5: Install the front door in the bottom plate.

6



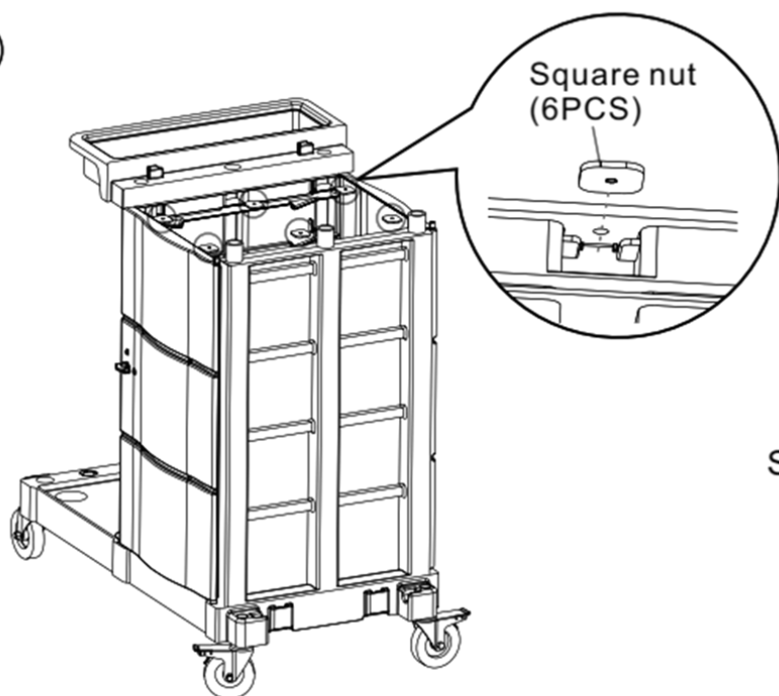
Step 6: Install the rear board in the bottom plate. Pay attention to set the rear board on the same side with the installation slots of mop rack.

7



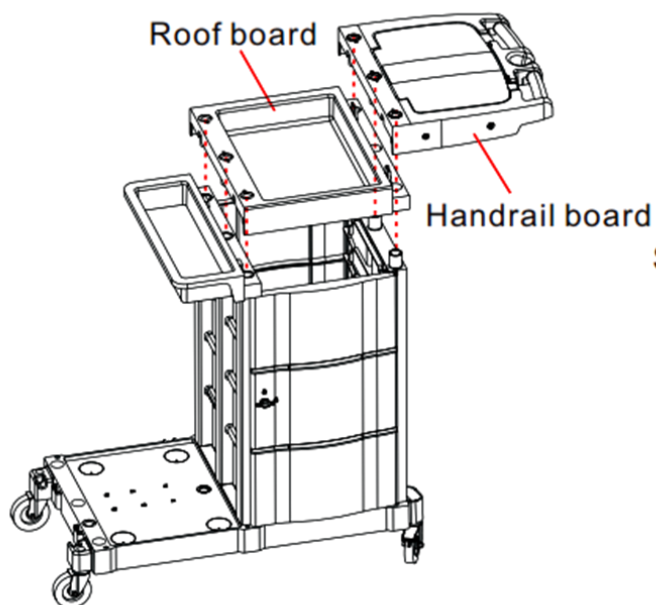
Step 7: Install the extended frame in the top of side plate.

8



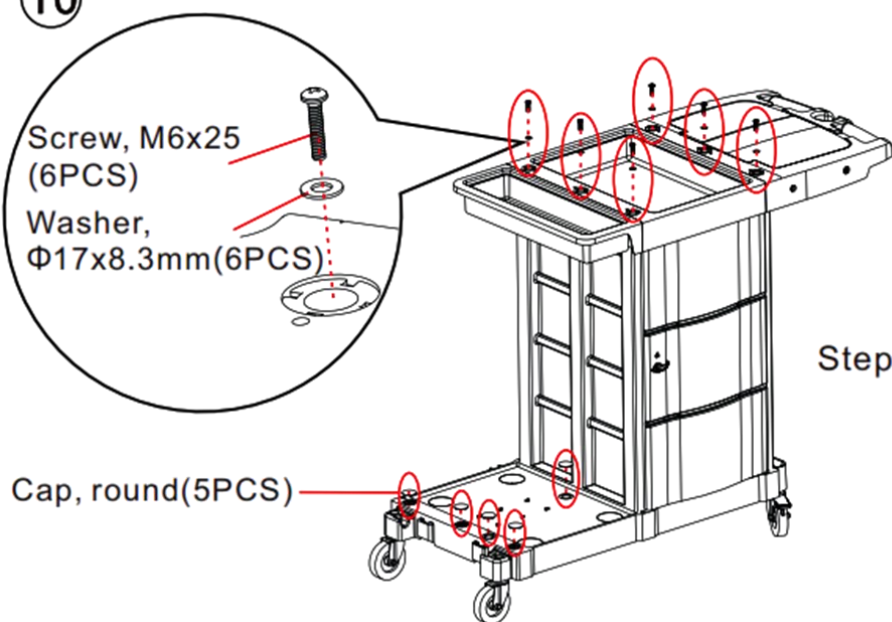
Step 8: Insert the square nuts in the top of side plate.

9



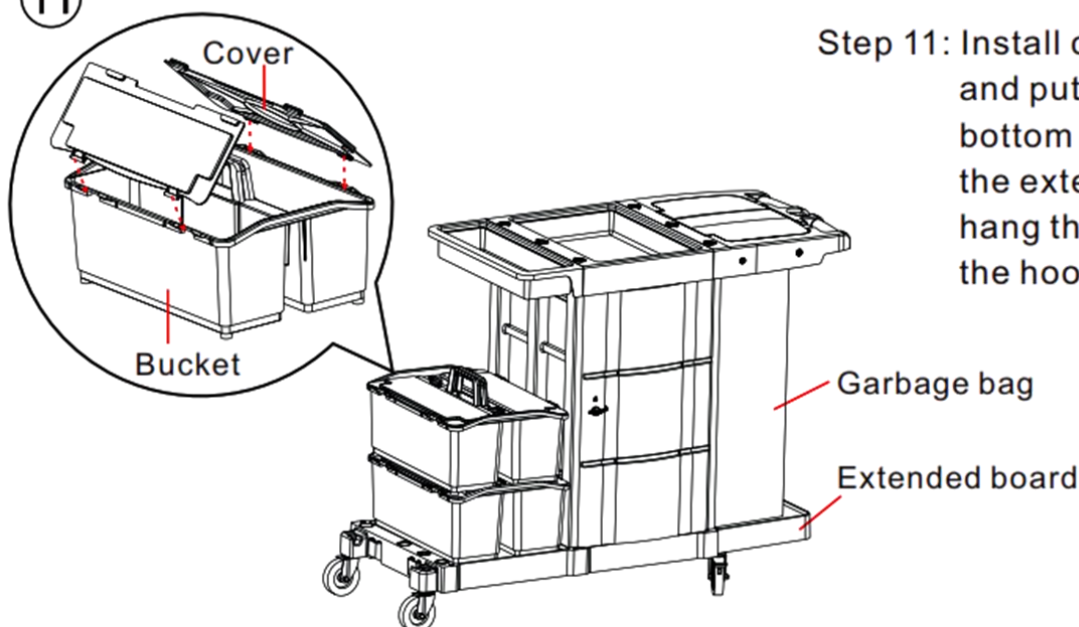
Step 9: Install the roof board and handrail board in a proper order.

10



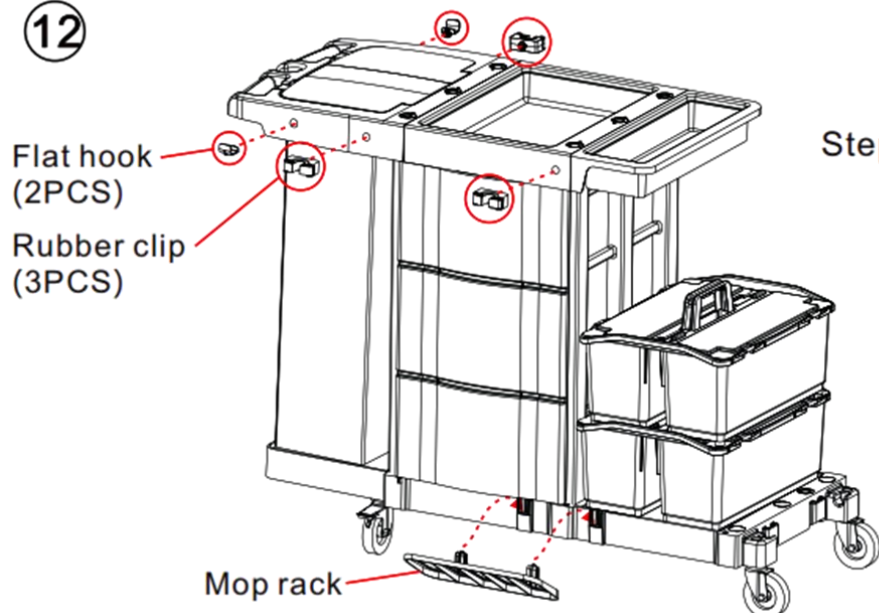
Step 10: Fasten the roof board and handrail board with screws. And put the round cap in the bottom plate.

11



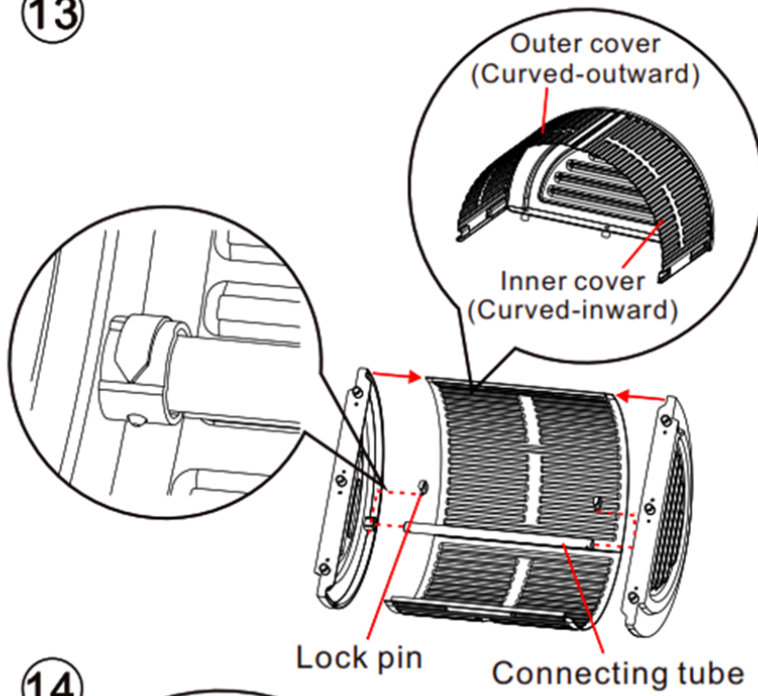
Step 11: Install cover on the bucket and put the bucket on the bottom plate. Then install the extended board and hang the garbage bag on the hook of the handrail.

12



Step 12: Insert flat hooks, rubber clips and mop rack.

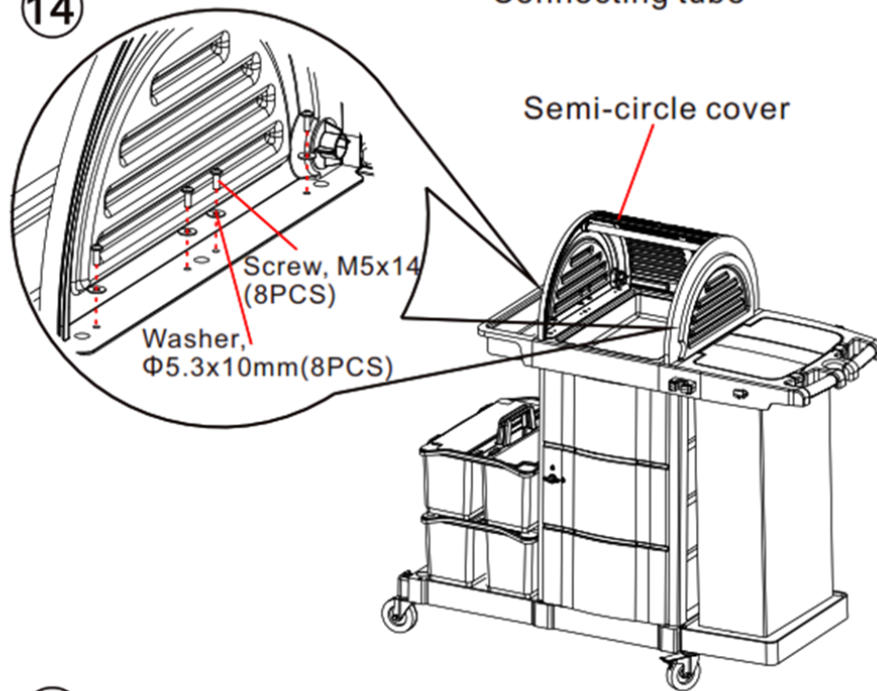
13



Step 13: Install the cover assembly and insert the lock pins to fasten them.

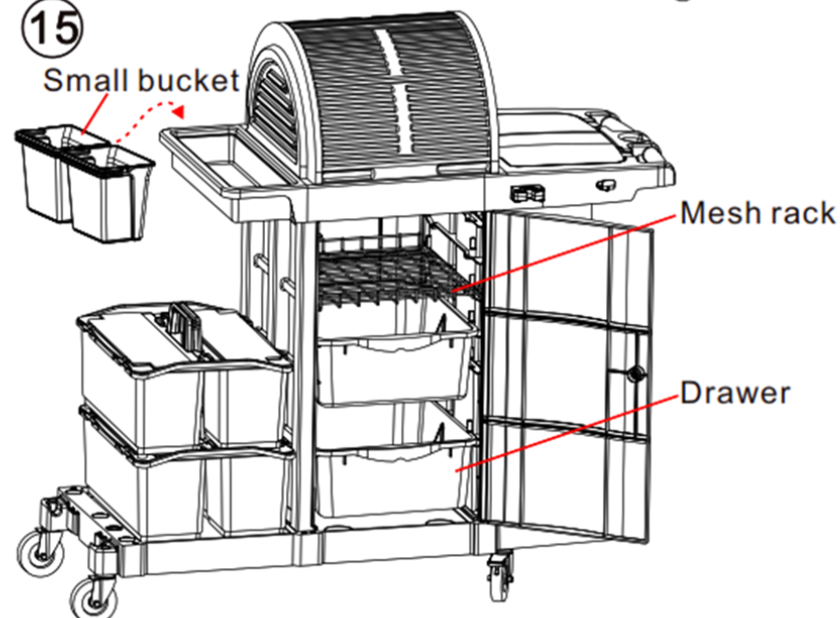
NOTE: The inner cover must be set inside the outer cover.

14



Step 14: Install the semi-circle cover assembly on the roof board and fasten it with screws.

15



Step 15: Put the mesh rack and drawers in the cart. Then put small buckets on the extended frame.